

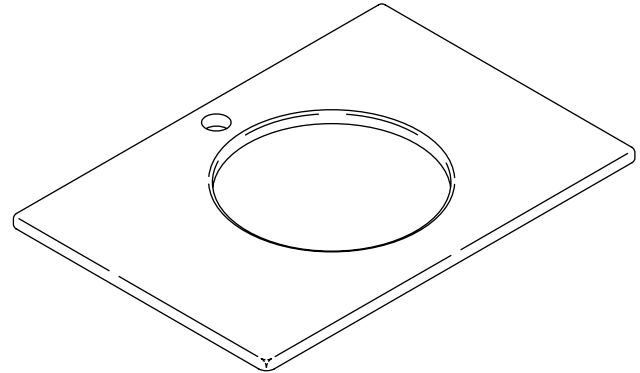
TOP ART™ ARTIST EDITIONS

Features

- Vitreous china
- With or without faucet holes
- Part of the Artist Editions Top Art™ Collection
- Coordinates with Artist Editions design on Camber™ lavatories
- 13-9/16" (34.4 cm) diameter lavatory cutout
- 31" (78.7 cm) x 21-7/8" (55.6 cm)

COUNTERTOP
K-14031

ALSO K-14032, K-14033



Codes/Standards Applicable

Specified model meets or exceeds the following:

- None applicable

Colors/Finishes

- KB: Tog & The™
- BU: Marrakesh™
- LP: Zanzibar™
- BW: Black and White Pattern
- HA: Ipanema™

Accessories

- KB: Tog & The™
- JB: Maharani™
- BU: Marrakesh™
- LP: Zanzibar™
- BW: Black and White Pattern
- HA: Ipanema™

Specified Model

Model	Description	Colors/Finishes				
K-14031	Artist Editions countertop – single faucet hole (shown)	<input type="checkbox"/> KB	<input type="checkbox"/> BU	<input type="checkbox"/> LP	<input type="checkbox"/> BW	<input type="checkbox"/> HA
K-14032	Artist Editions countertop – 8" (20.3 cm) widespread faucet	<input type="checkbox"/> KB	<input type="checkbox"/> BU	<input type="checkbox"/> LP	<input type="checkbox"/> BW	<input type="checkbox"/> HA
K-14033	Artist Editions countertop – without faucet hole	<input type="checkbox"/> KB	<input type="checkbox"/> BU	<input type="checkbox"/> LP	<input type="checkbox"/> BW	<input type="checkbox"/> HA

Product Specification

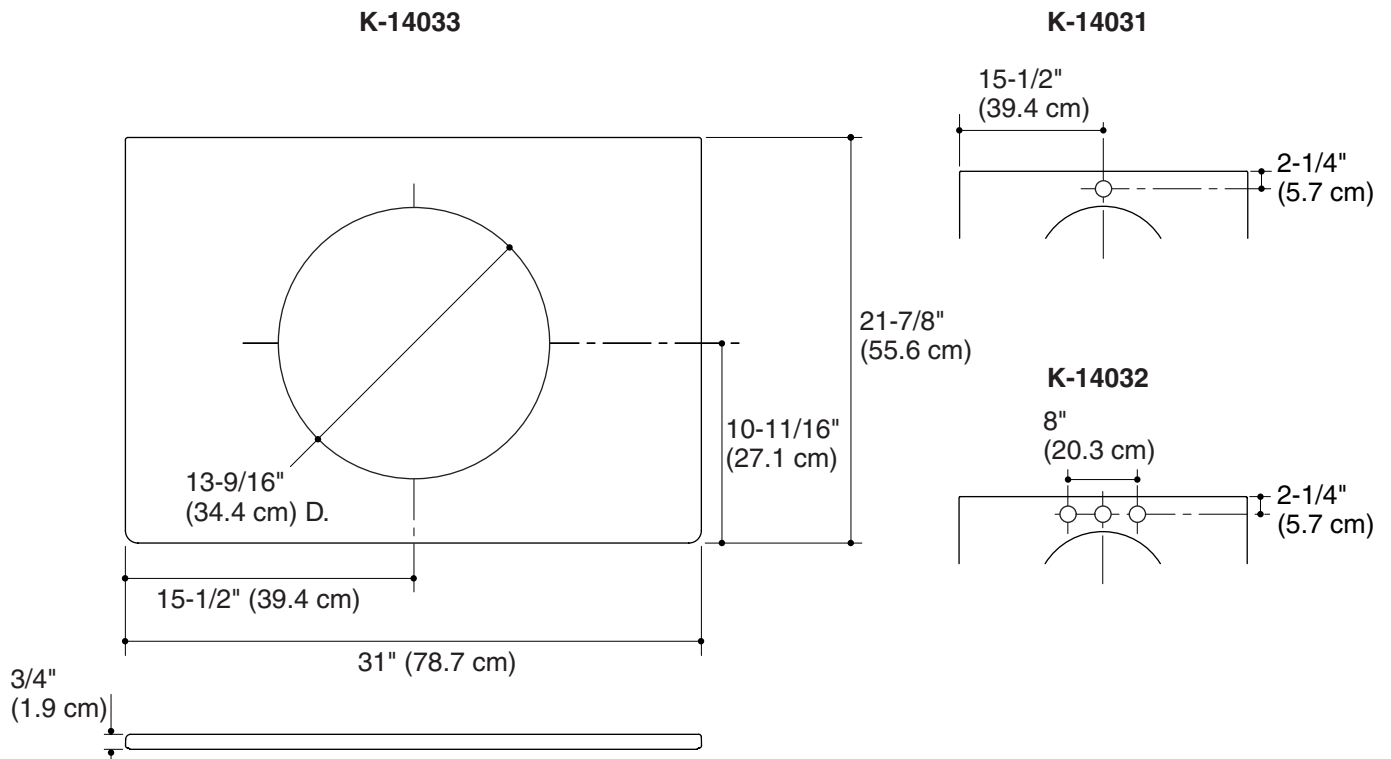
The vitreous china countertop shall be 31" (78.7 cm) in length and 21-7/8" (55.6 cm) in width. Countertop shall be part of the Artist Editions Top Art™ Collection and coordinate with the Artist Editions design on Camber™ lavatories. Countertop shall have a 13-9/16" (34.4 cm) diameter lavatory cutout. Countertop shall be available with or without faucet holes. Product shall be Kohler Model K-_____-_____.

TOP ART™ ARTIST EDITIONS

Recommended Accessories						
K-11000	Top Art Artist Editions design on BOL® ceramic faucet		<input type="checkbox"/> JB	<input type="checkbox"/> BU		
K-14046	Artist Editions design on Camber™ lavatory	<input type="checkbox"/> KB	<input type="checkbox"/> JB	<input type="checkbox"/> BU	<input type="checkbox"/> LP	<input type="checkbox"/> BW <input type="checkbox"/> HA

Installation Notes

Install this product according to the installation guide.



Product Diagram

Features

- Vitreous china
- Undercounter
- Without overflow
- Includes 52047 clamp assembly
- Available with KOHLER Artist Editions designs
- 14" (35.6 cm) diameter

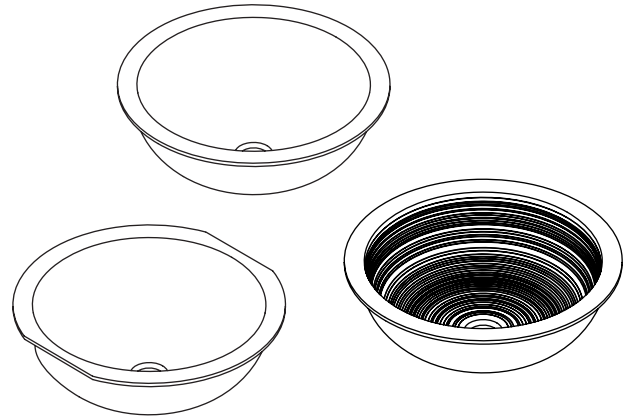
UNDERCOUNTER LAVATORY K-2349 ALSO K-14026, K-14036, K-14046

ADA

Codes/Standards Applicable

Specified model meets or exceeds the following:

- ADA
- ASME A112.19.2/CSA B45.1
- ICC/ANSI A117.1



Colors/Finishes

- 0: White
- Other: Refer to Price Book for additional colors/finishes

Specified Model

Model	Description	Colors/Finishes	
		<input type="checkbox"/> 0	<input type="checkbox"/> Other _____
K-2349	Undercounter lavatory	<input type="checkbox"/> 0	<input type="checkbox"/> Other _____
K-14026	Undercounter lavatory with painted underside – Artist Editions		<input type="checkbox"/> Other _____
K-14036	Undercounter lavatory less painted underside – Artist Editions		<input type="checkbox"/> Other _____
K-14046	Undercounter lavatory with cut edges – Artist Editions		<input type="checkbox"/> Other _____
K-14287	Undercounter lavatory with or without glazed underside – Artist Editions	<input type="checkbox"/> 0	<input type="checkbox"/> Other _____
K-14298	Undercounter lavatory with decorative carving – Artist Editions	<input type="checkbox"/> 0	<input type="checkbox"/> Other _____

Product Specification

The undercounter vitreous china lavatory shall be 14" (35.6 cm) in diameter, with a 13-3/4" (34.9 cm) useable interior diameter. Lavatory shall be available with Artist Editions designs. Lavatory shall be without overflow. Lavatory shall include basin clamp assembly. Product shall be Kohler Model K-____-____ or K-____-____-____.

CAMBER®

Technical Information

Fixture*:	
Basin area	13-3/4" (34.9 cm) D.
Water depth	5" (12.7 cm)
Drain hole	1-3/4" (3.2 cm) D.
* Approximate measurements for comparison only.	

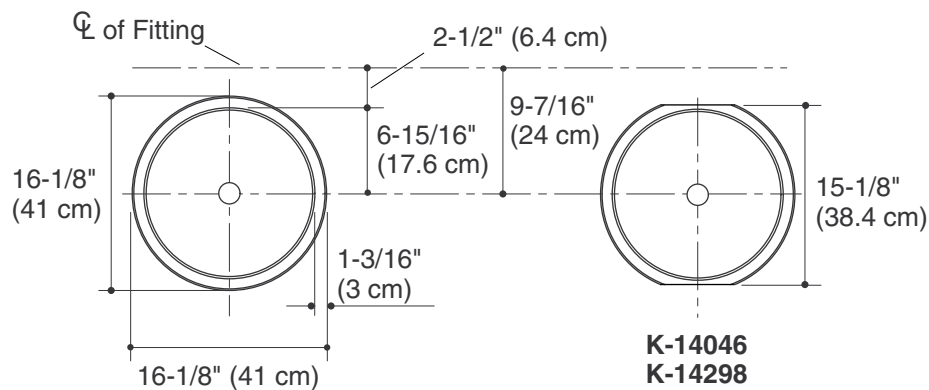
Included components:	
Basin clamp assembly	52047
Cut-out template	1035896-7

Installation Notes

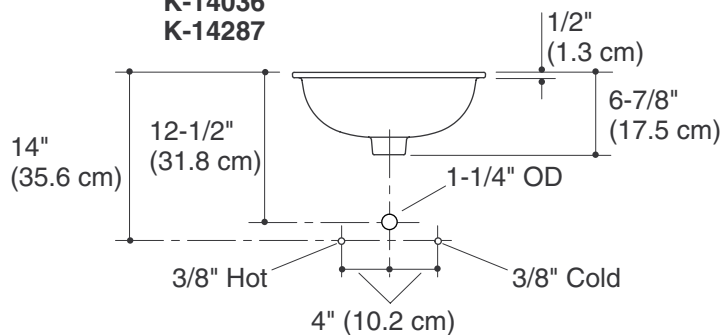
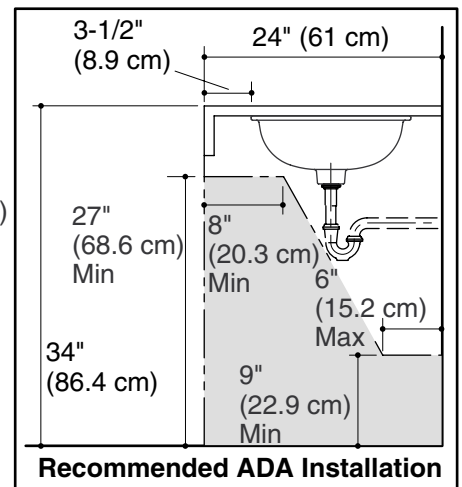
Install this product according to the installation guide.

Supplied basin clamp assemblies require 1" (2.5 cm) minimum countertop thickness. Installer must supply anchors for thinner countertops.

NOTICE: Countertop manufacturer or cutter must use the cut-out template provided with the product, or a current one provided by Kohler (call 1-800-4-KOHLER). Kohler is not responsible for cutout errors when incorrect cut-out template is used.



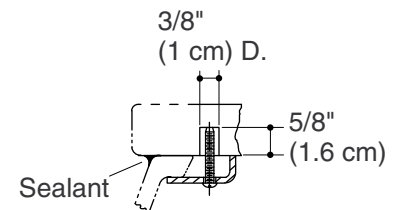
K-2349
K-14026
K-14036
K-14287



Standard Installation



Wood Installation



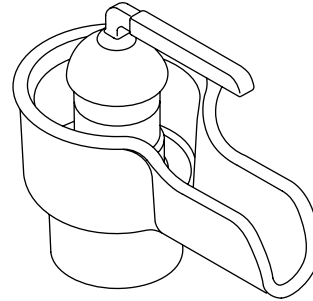
Marble Installation

Product Diagram

Features

- Ceramic spout
- Brushed nickel lever handle and valve
- One-piece self-contained ceramic disc valve allows both volume and temperature control
- Flexible supplies for easy installation
- Touch-activated drain with tailpiece
- 4-1/2" (11.4 cm) spout reach
- Single-hole mounting
- 1.5 gallons (5.7 liters) per minute maximum flow rate

SINGLE-CONTROL LAVATORY FAUCET K-11000



Codes/Standards Applicable

Specified model meets or exceeds the following at date of manufacture:

- ASME A112.18.1/CSA B125.1
- NSF 61
- Energy Policy Act of 1992
- All applicable US Federal and State material regulations

Colors/Finishes

- 0: White
- 7: Black Black™
- 96: Biscuit
- Other: Refer to Price Book for additional colors/finishes

Specified Model

Model	Description	Colors/Finishes			
K-11000	Single-control lavatory faucet	<input type="checkbox"/> 0	<input type="checkbox"/> 7	<input type="checkbox"/> 96	<input type="checkbox"/> Other _____
K-11000-BU	Single-control lavatory faucet – with Marrakesh™ design			<input type="checkbox"/> 96	
K-11000-JB	Single-control lavatory faucet – with Maharani™ design			<input type="checkbox"/> 96	
K-11000-VT	Single-control lavatory faucet – with Silkweave™ design	<input type="checkbox"/> 0			

Optional Accessories

Additional flow options are available (refer to the Kohler Price Book)

Product Specification

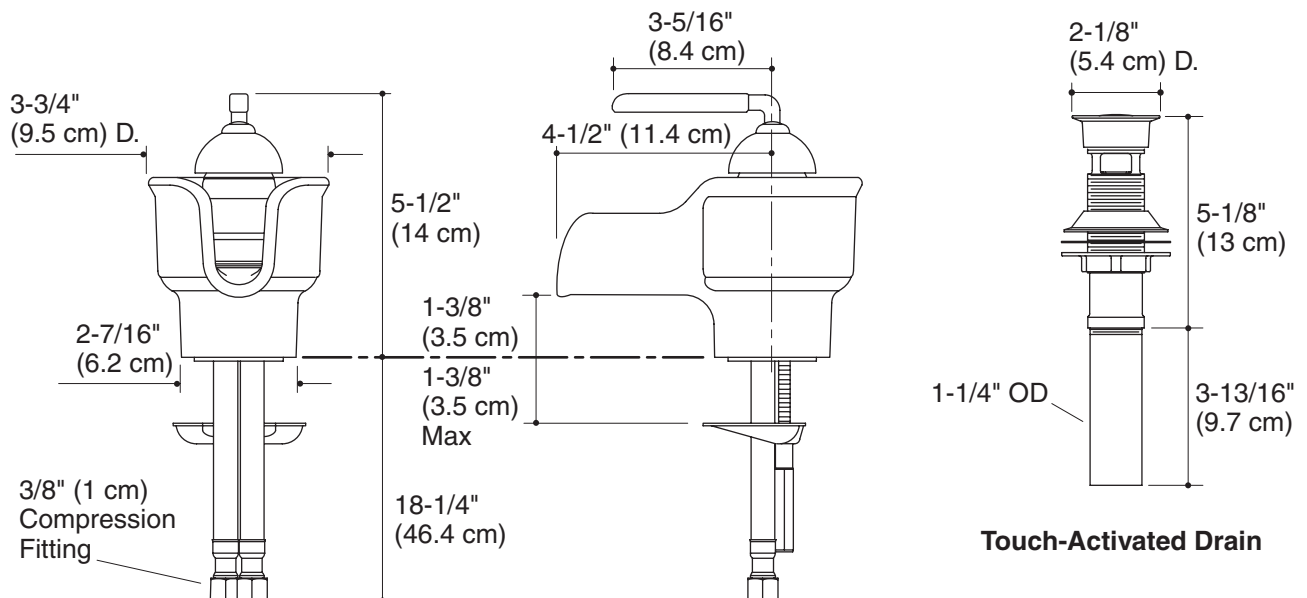
The single-control lavatory faucet shall have a ceramic spout with a brushed nickel lever handle and valve. Product shall have a maximum flow rate of 1.5 gallons (5.7 liters) per minute. Product shall feature a one-piece, self-contained ceramic disc valve, allowing both volume and temperature control. Product shall feature a 4-1/2" (11.4 cm) spout reach, flexible supplies for easy installation, and a touch-activated drain with tailpiece. Product shall be for single-hole mounting. Faucet shall be Kohler Model K-11000-____ or K-11000-____-____.

Technical Information

Included component:	
Drain	1035625

Installation Notes

Install this faucet according to the installation instructions provided.



Product Diagram